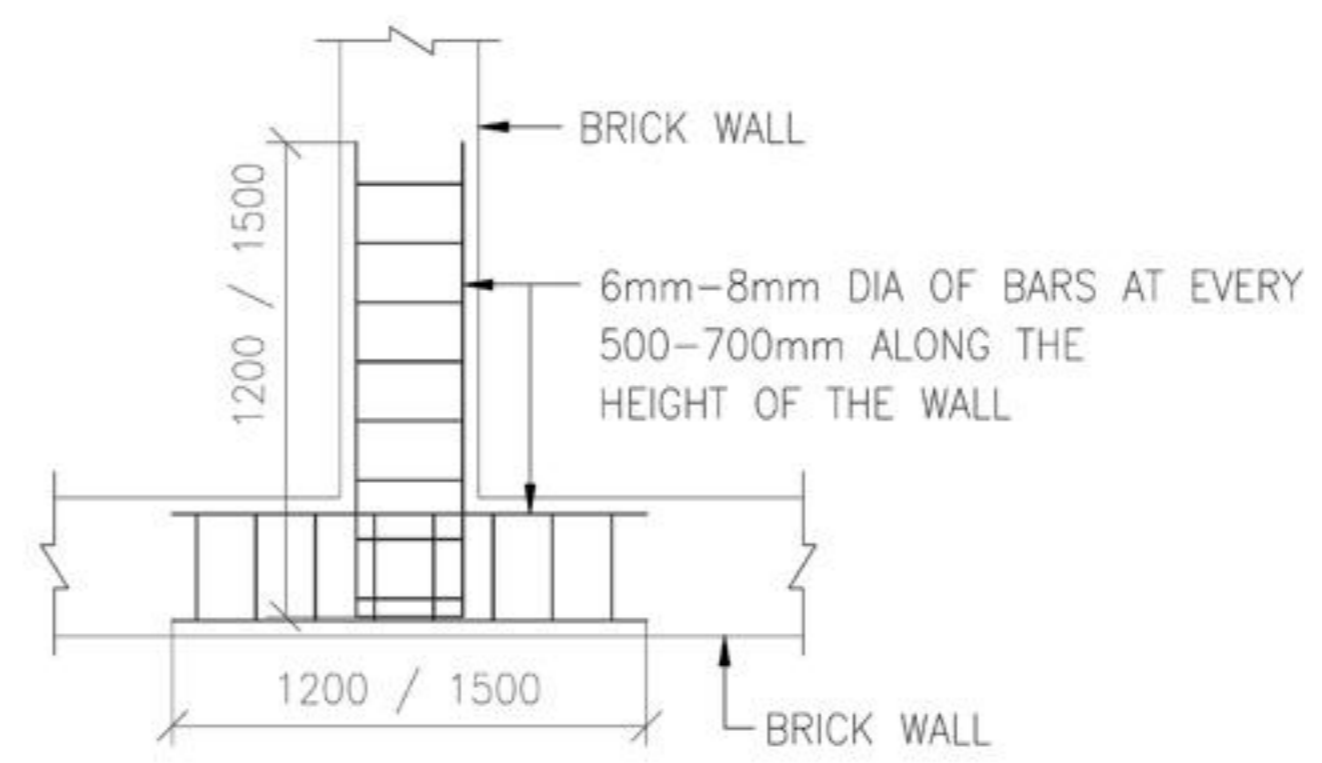
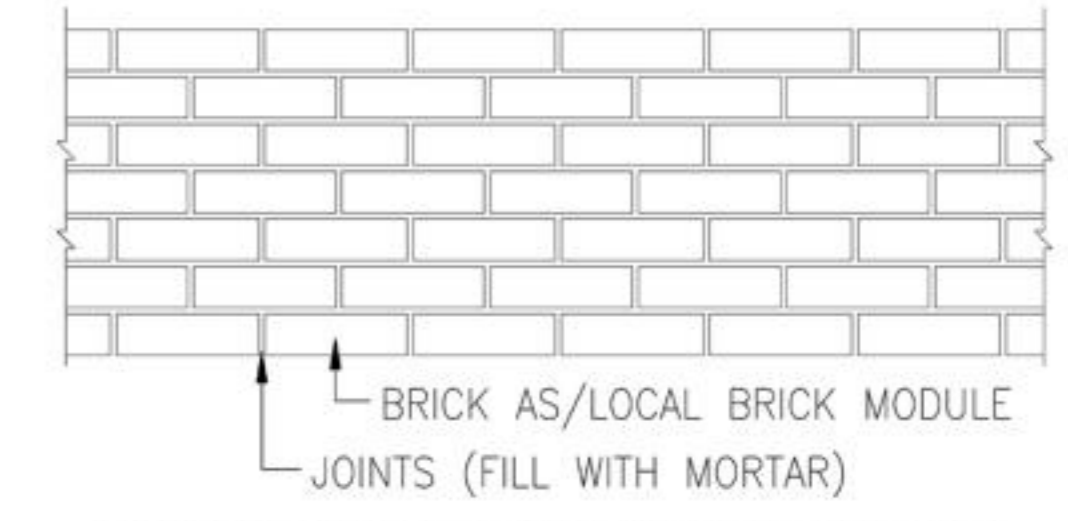


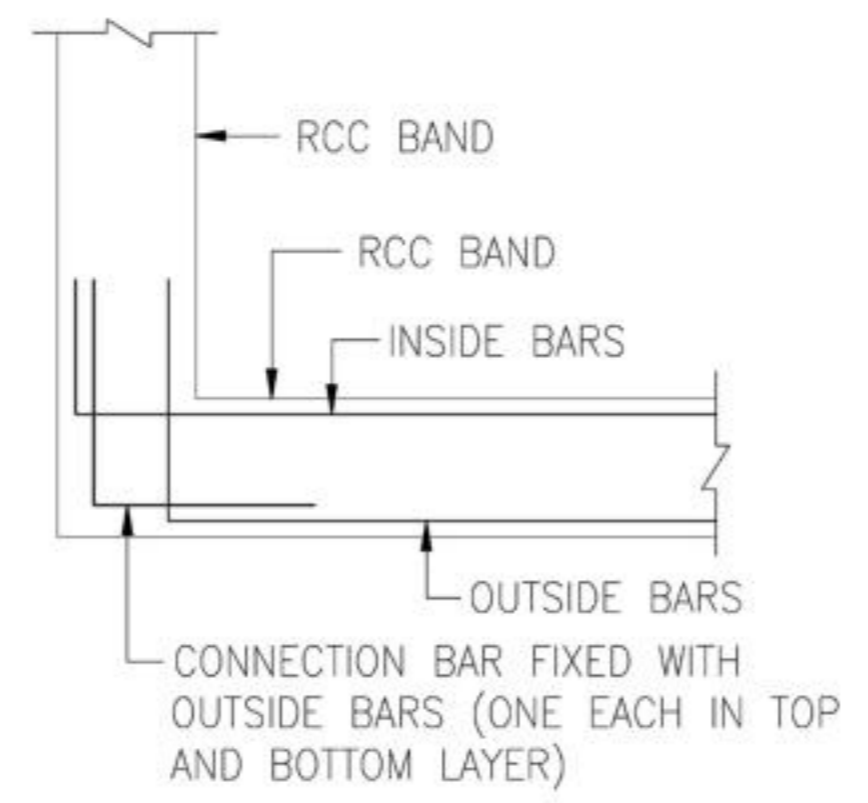
STRENGTHENING DETAILS OF WALL AT CORNERS



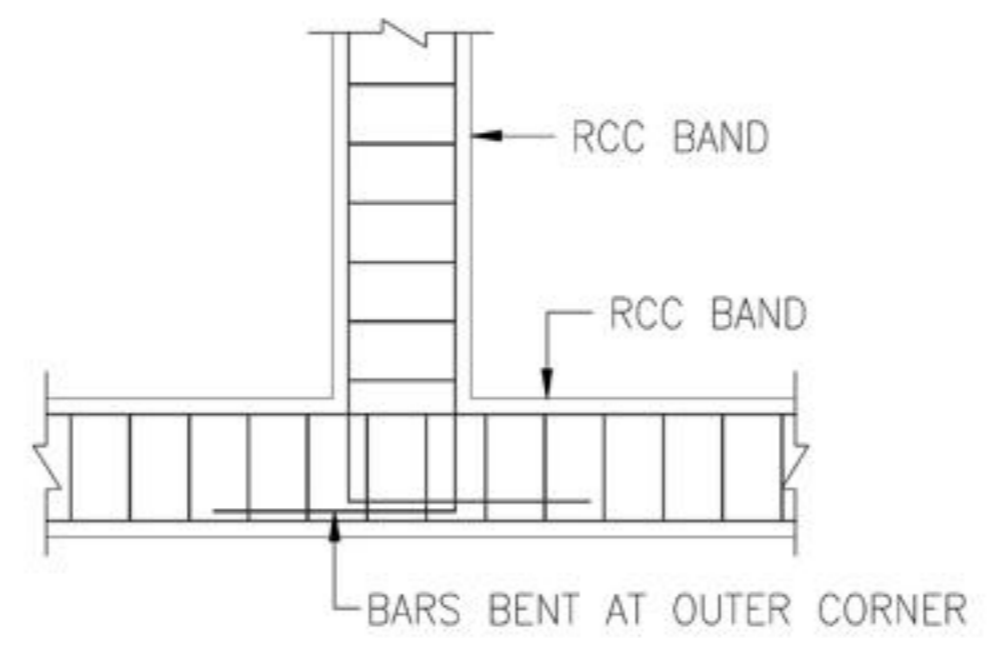
STRENGTHENING DETAILS OF WALL AT 'T' JUNCTION



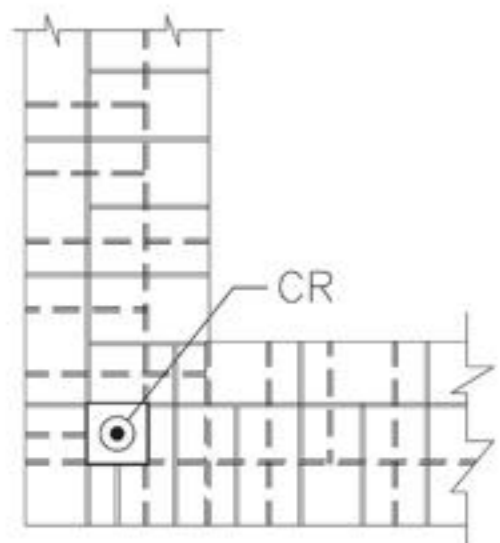
TYPICAL MASONRY WALL ELEVATION DISCONTINUOUS VERTICAL JOINTS IN MASONRY



RCC BAND REINFORCEMENT ARRANGEMENT AT CORNERS



RCC BAND REINFORCEMENT ARRANGEMENT AT 'T' CORNERS



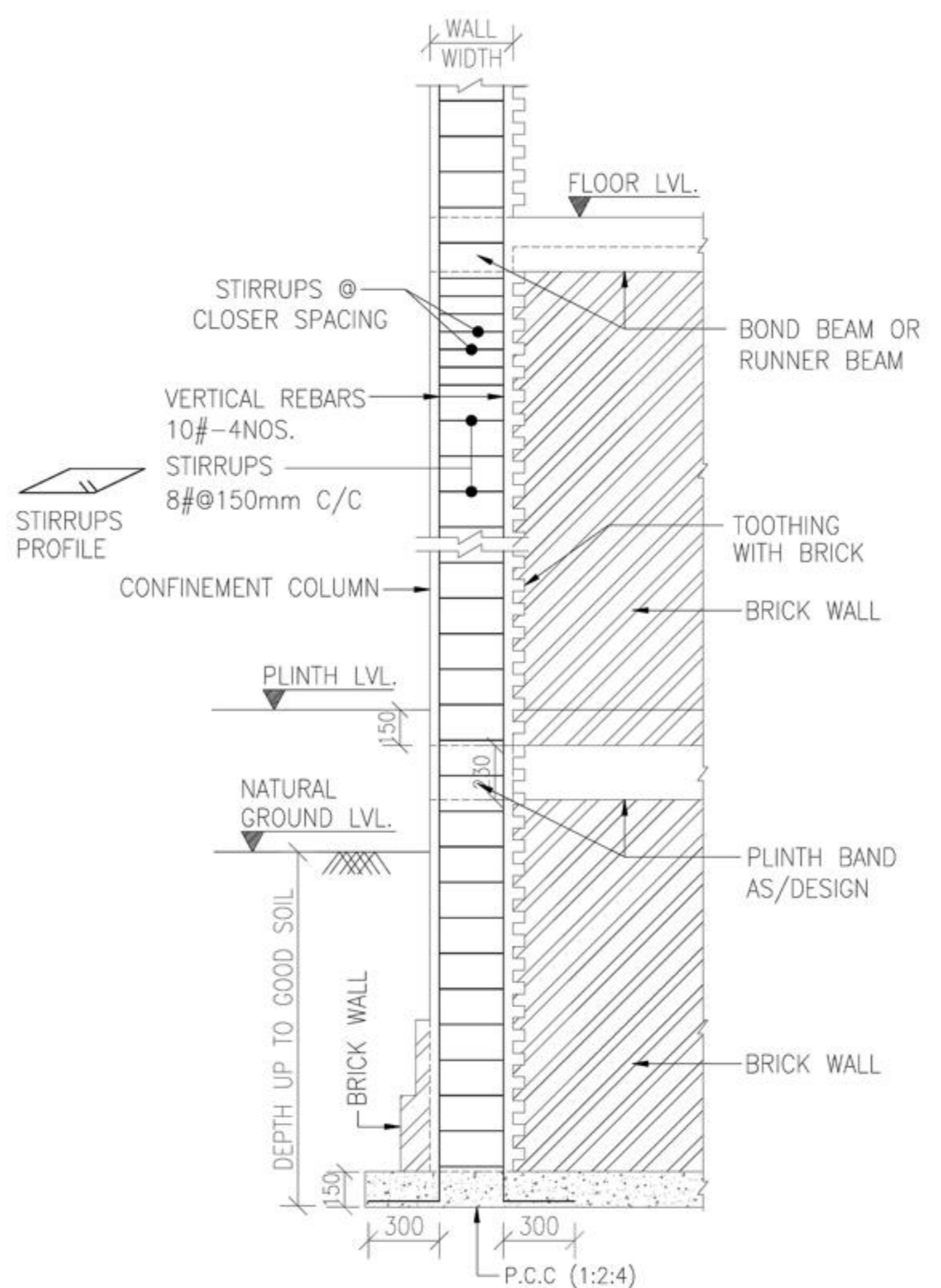
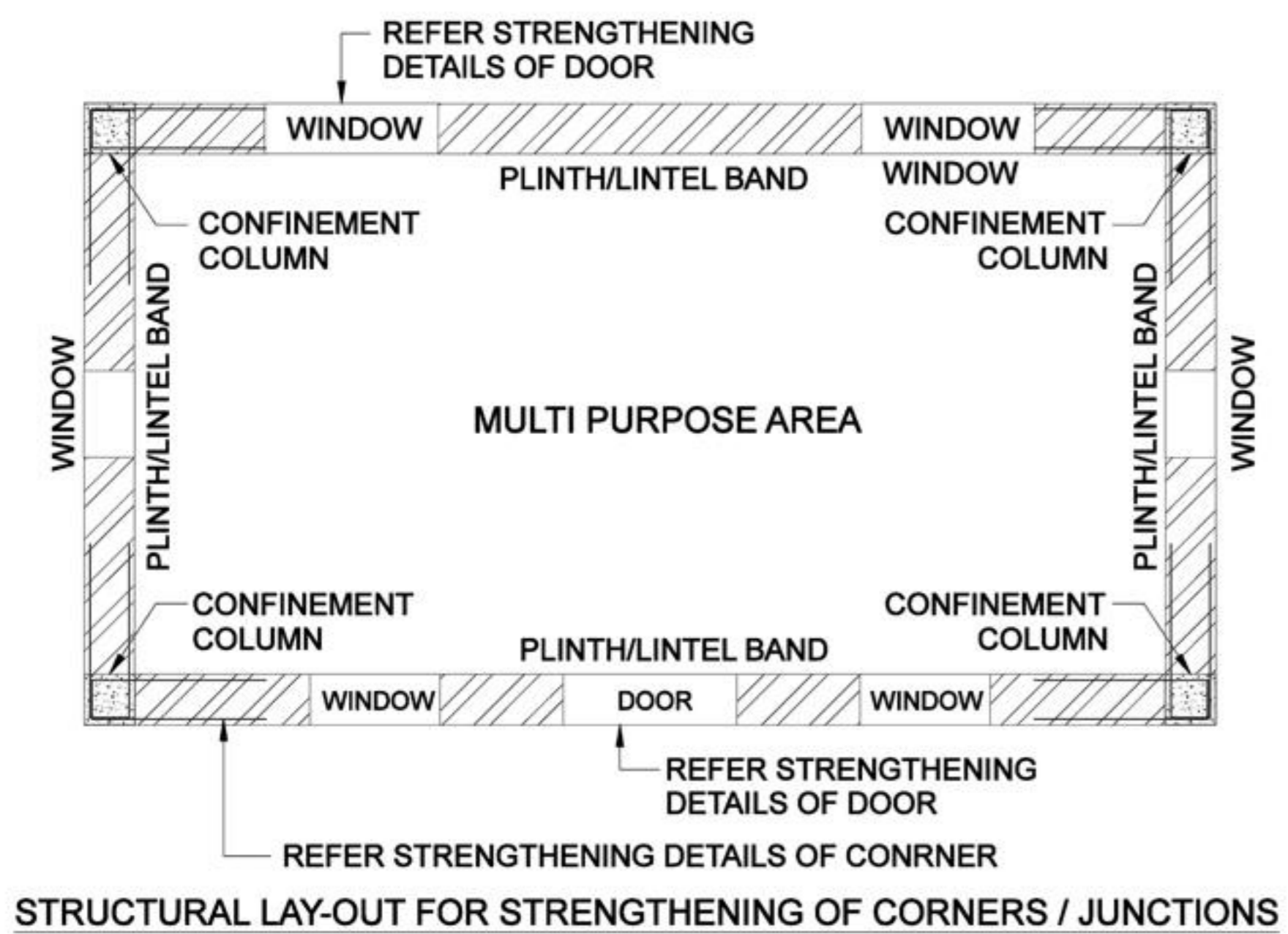
SCHEDULE OF CORNER BAR REIN. (CR)

FLOOR	CR
UP TO TERRACE	1-10#
UP TO F.F. SLAB LVL	1-10#
UP TO G.F. SLAB LVL	1-12#

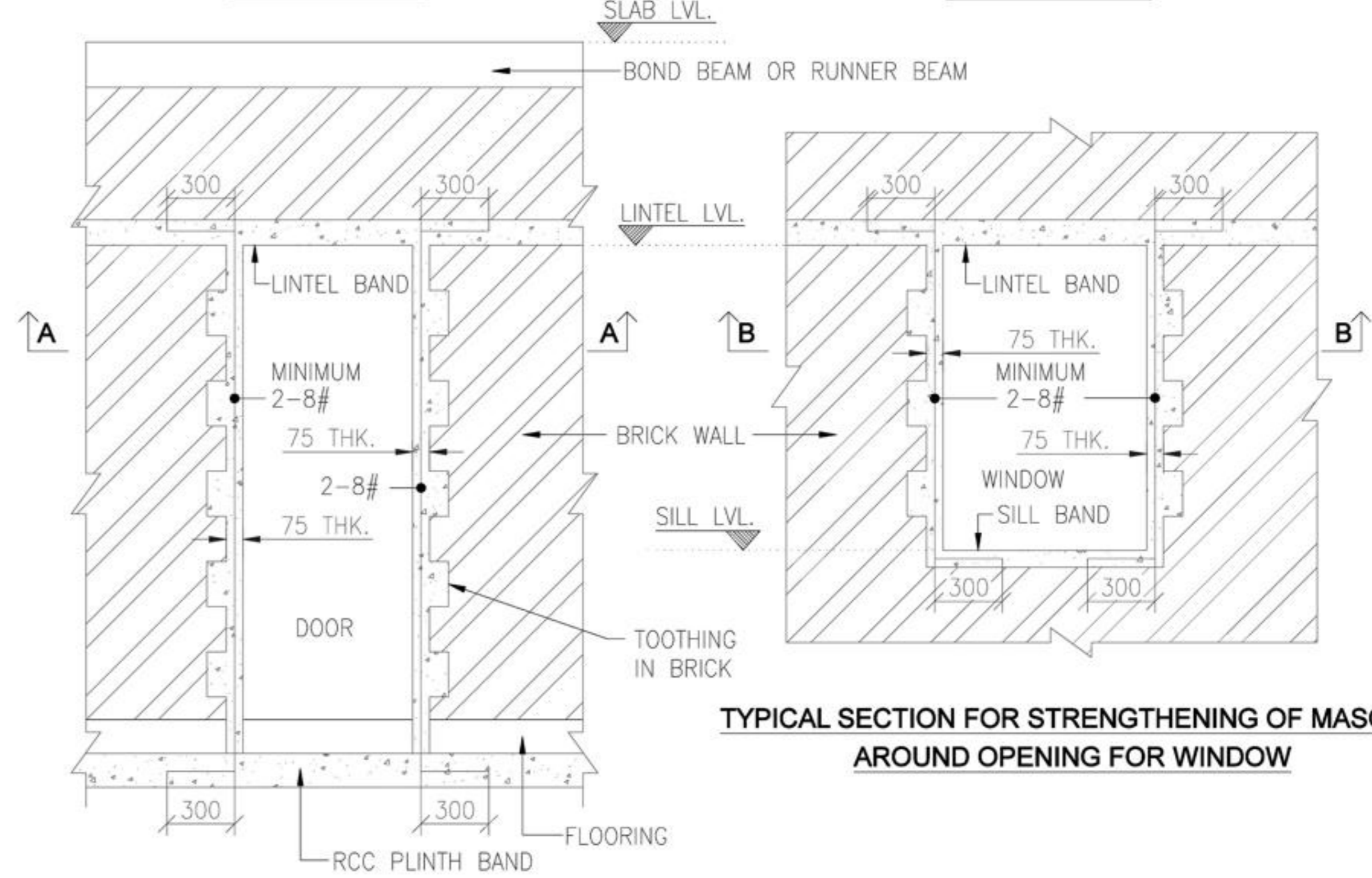
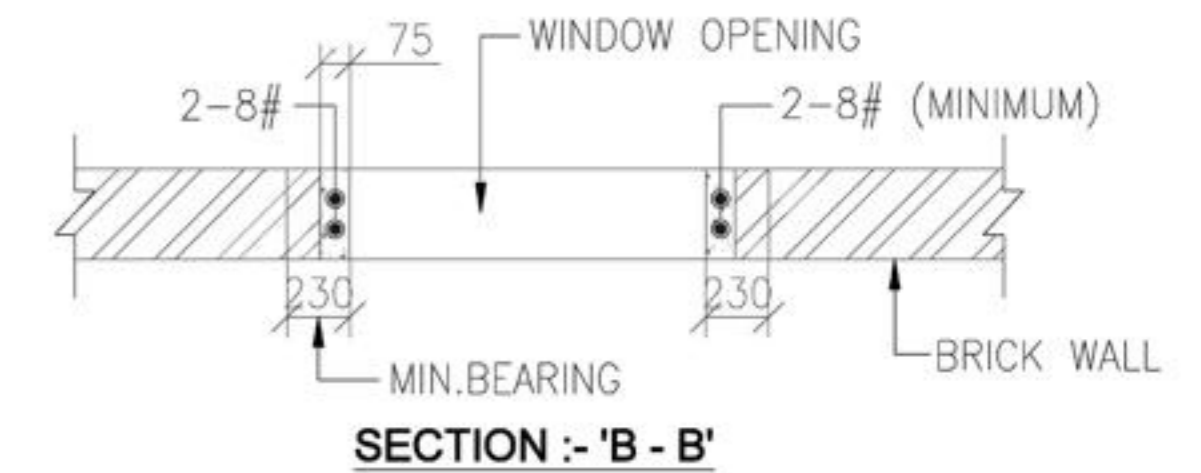
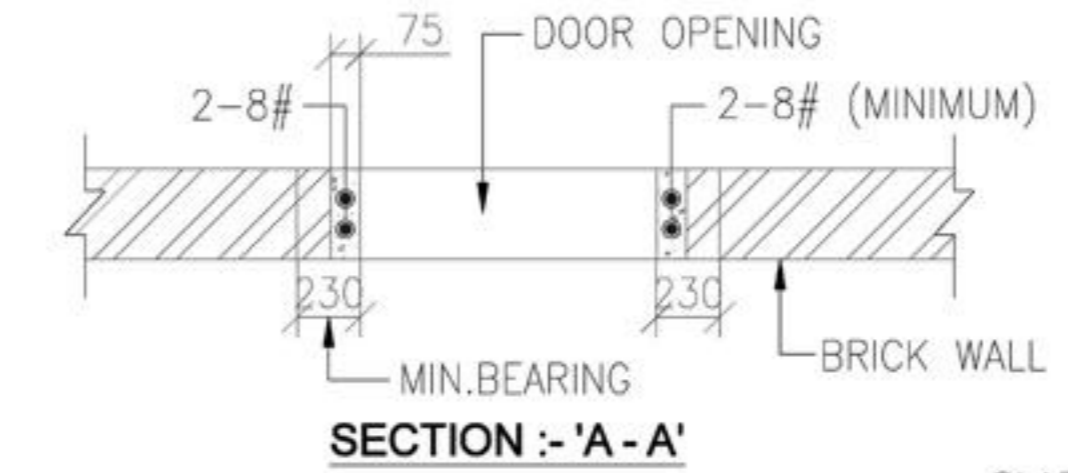
TYPICAL DETAILS OF PROVIDING VERTICAL STEEL BARS IN BRICK MASONRY IN CORNER JUNCTION (DETAIL 'L') FOR ONE & HALF BRICK WALL

¼, ½ AND 1 INDICATE
 -¼ BRICK MASONRY WIDE, ½ BRICK MASONRY WIDE, 1 BRICK MASONRY LONG ETC.,
 1-12# = VERTICAL BAR
 VERTICAL REINFORCEMENT IN WALLS.

NOTE:- (FOR VERTICAL STEEL)
 VERTICAL STEEL BARS PROVIDED IN JUNCTIONS OF MASONRY WALL SHALL BE EXTENDED ENOUGH ABOVE GROUND FLOOR SLAB FOR LAPPING DURING CONSTRUCTION OF FIRST FLOOR, AND SHALL BE ANCHORED IN R.C.C. SLAB AT TERRACE LEVEL.



TYPICAL SECTIONAL VIEW FOR CONFINEMENT COLUMN



TYPICAL SECTION FOR STRENGTHENING OF MASONRY AROUND OPENING FOR DOOR

TYPICAL SECTION FOR STRENGTHENING OF MASONRY AROUND OPENING FOR WINDOW

anviksha
 Structural Design Studio
 www.anviksha.co.in

ARCHITECT: HIREN PATEL ARCHITECTS, AHMEDABAD

CLIENT: MANAV SADHNA TRUST